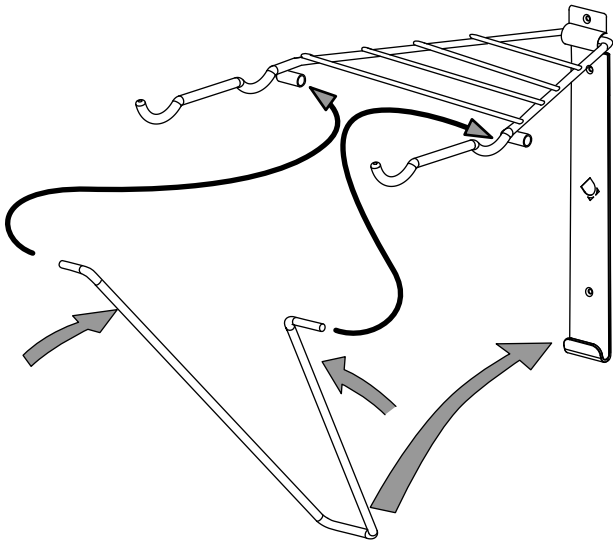
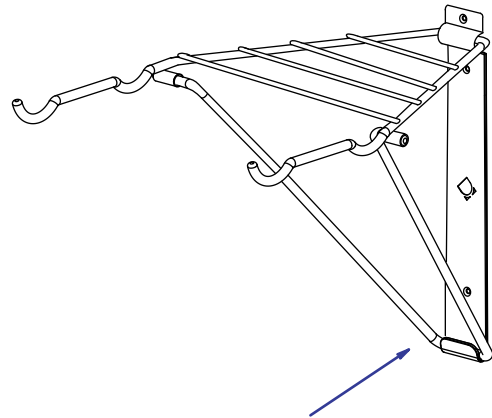


1

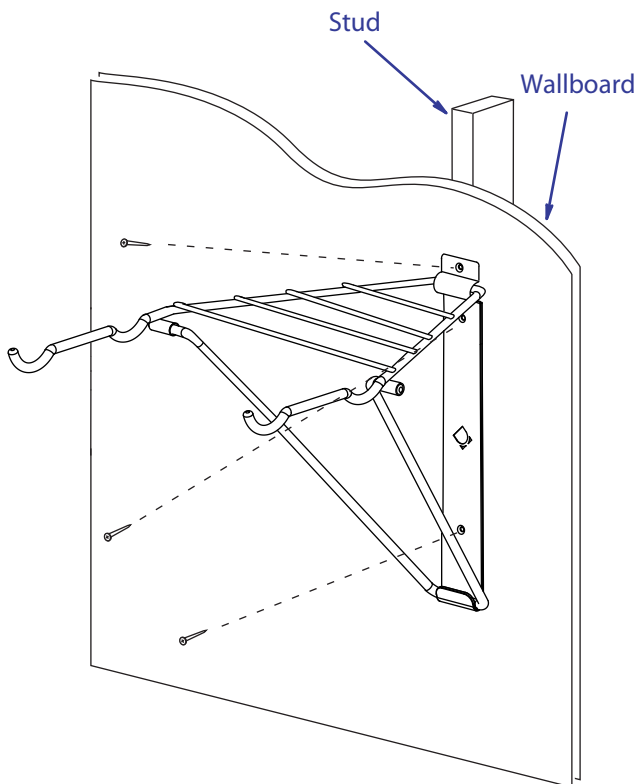


2



NOTE: Make sure the bracket is securely placed in cradle.

3



1. Locate Stud beneath wallboard.
2. Position Shelf at desired height and screw into place.  
(screws should be in center of Wall Stud)

NOTE: Make sure the Shelf is level when mounting.

**IMPORTANT WARNINGS:**

DO NOT EXCEED MAXIMUM  
TOTAL WEIGHT LIMIT OF  
65 LBS (30 Kgs)

Incorrect wall mounting  
could result in items  
falling and injury to persons.



theartofstorage™

Delta Design Company  
125 Washington St. Unit #7  
Foxborough, MA 02035 USA

PABLO RS5103  
ASSEMBLY DIAGRAM

© Copyright 2011